

Firmware Upgrade Procedure

1. Identify the green RS-485 port at the upper right corner, on the back of the controller.



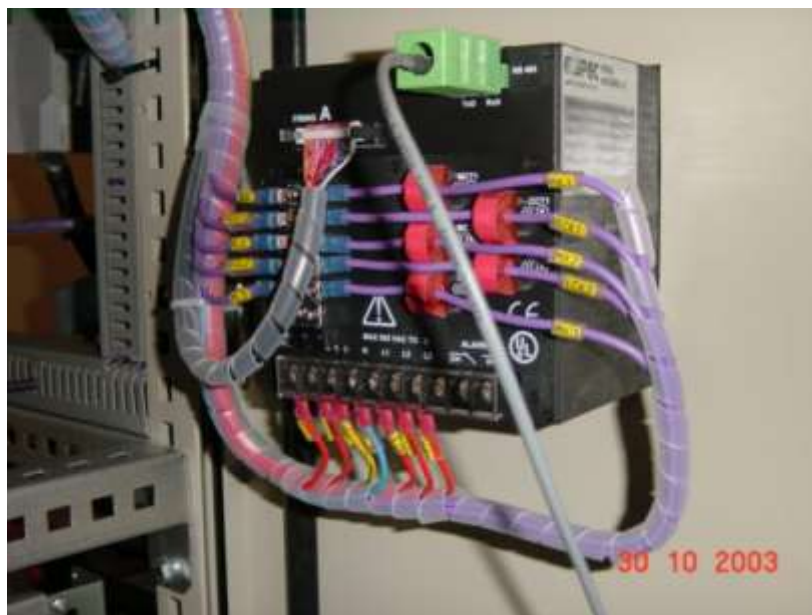
2. Identify the RS232-to-RS485 converter. The converter is fed by 9Vdc (the power-supply is not shown in the picture).



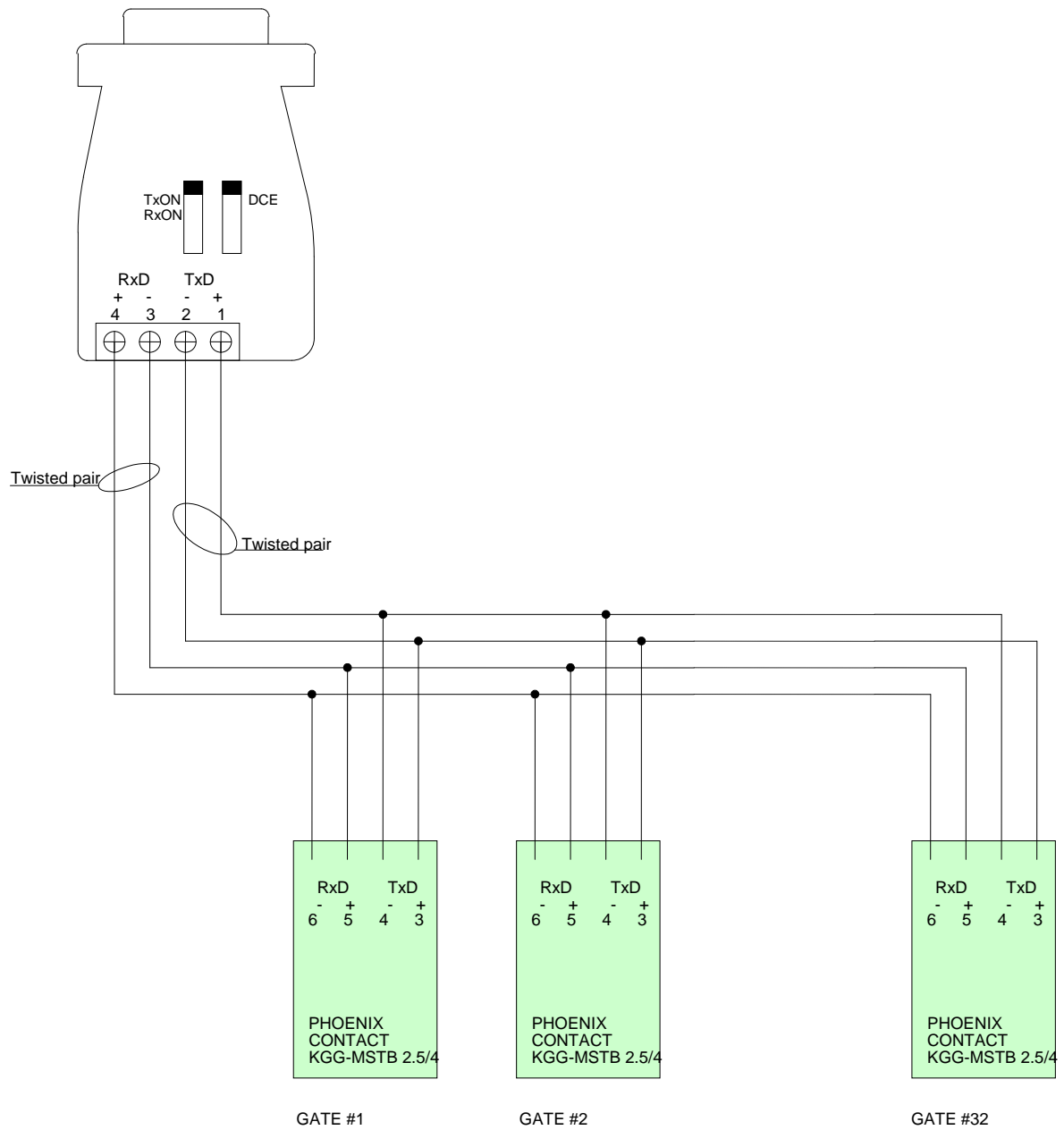
3. Assemble the 25pin-to-9pin adapter (supplied by Elspec) for connecting the RS232-to-RS485 converter to a computer's serial port.



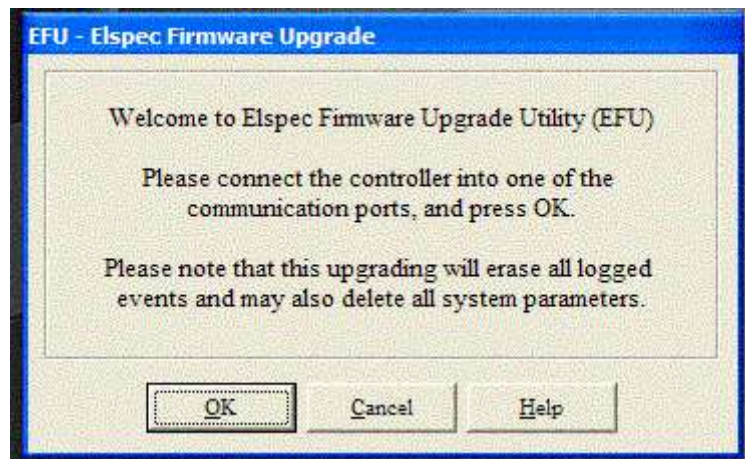
4. Connect a communications cable to the RS-485 communication port.



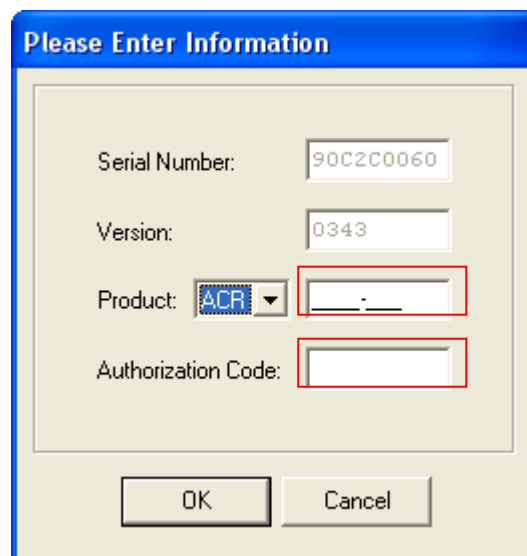
5. Up to 32 controllers and controllers can be connected to a single computer using a single RS232-to-RS485 converter.



6. Run the firmware upgrade file (EXE file). The following screen will appear:



7. Click "OK". A progress bar will appear and will advance until 100% will be reached. The upgrade window will disappear and the controller will restart.
8. If you have a code for upgrading the controller, press first shift button, and while pressing click OK. At 2% of the process a screen like this will show.



9. Enter the new controller configuration and the Authorization code provided by Elspec.
10. Click OK. The process will continue upgrading your controller.

Upgrade procedure is done!