

Firmware Upgrade Procedure

1. Identify the green RS-485 port at the upper right corner, on the back of the controller.



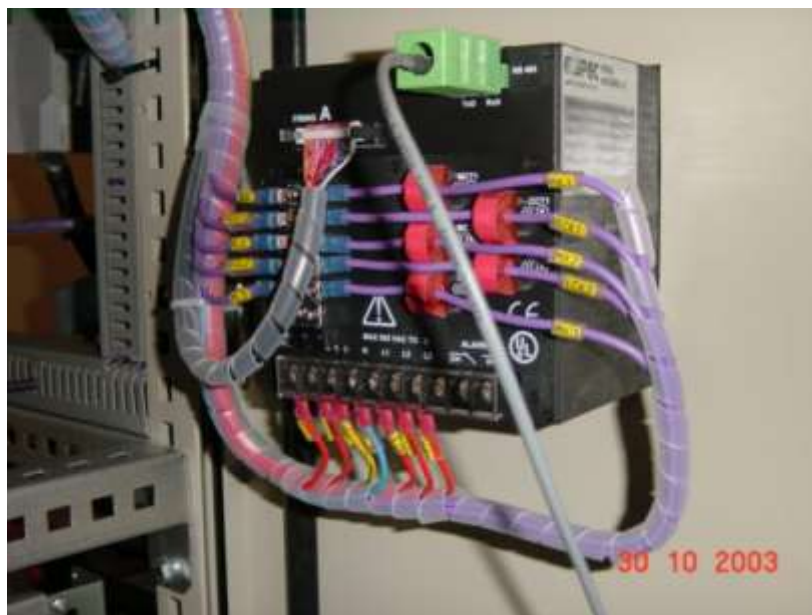
2. Identify the RS232-to-RS485 converter. The converter is fed by 9Vdc (the power-supply is not shown in the picture).



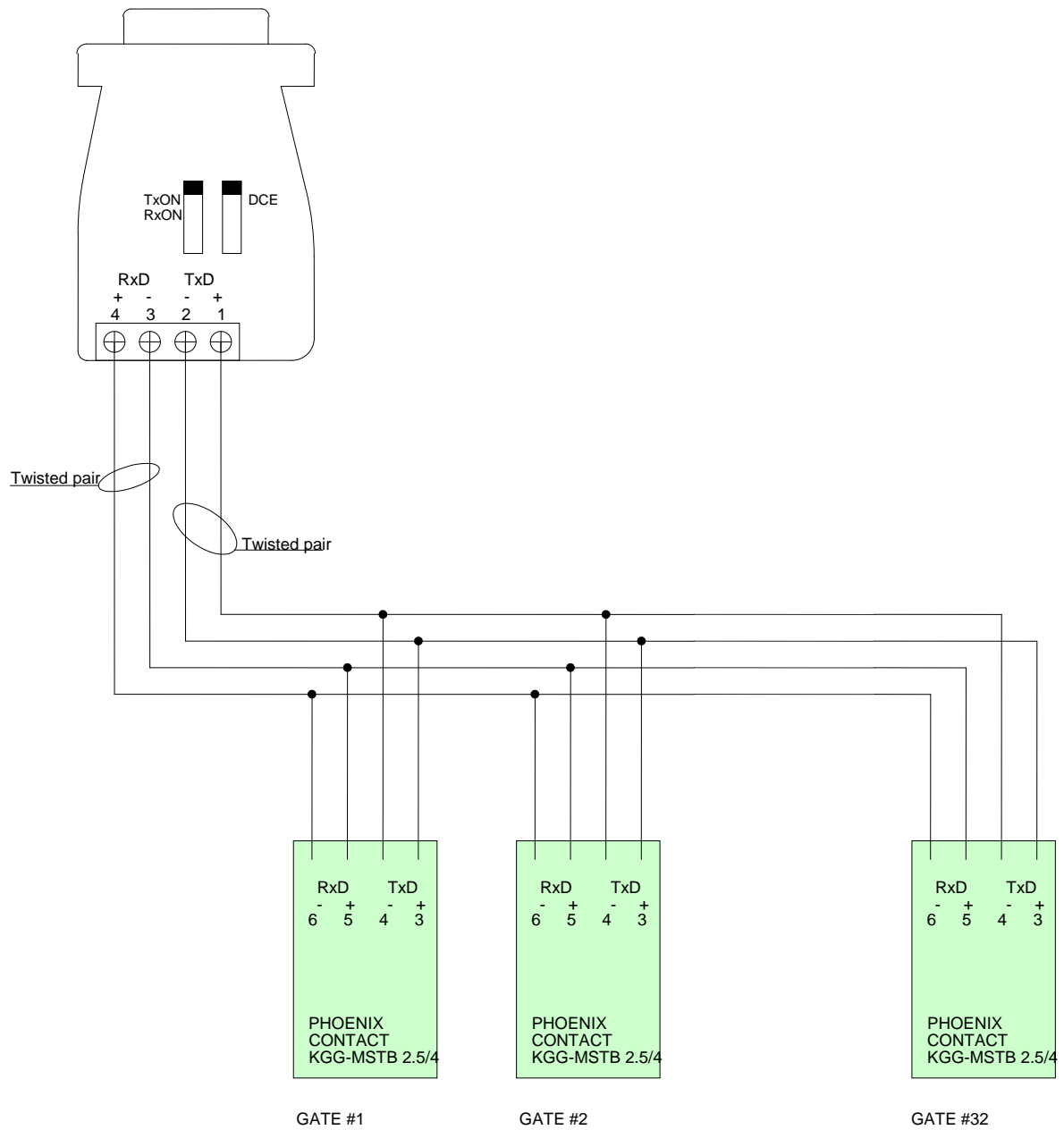
3. Assemble the 25pin-to-9pin adapter (supplied by Elspec) for connecting the RS232-to-RS485 converter to a computer's serial port.



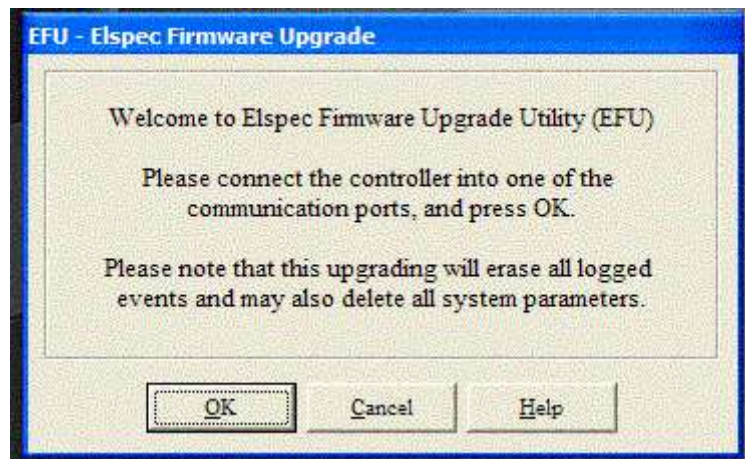
4. Connect a communications cable to the RS-485 communication port.



5. Up to 32 controllers and controllers can be connected to a single computer using a single RS232-to-RS485 converter.



6. Run the firmware upgrade file (EXE file). The following screen will appear:



7. Click "OK". A progress bar will appear and will advance until 100% will be reached. The upgrade window will disappear and the controller will restart.

Upgrade procedure is done!